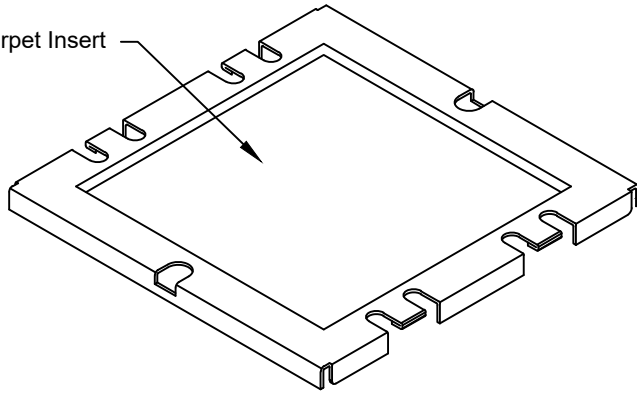
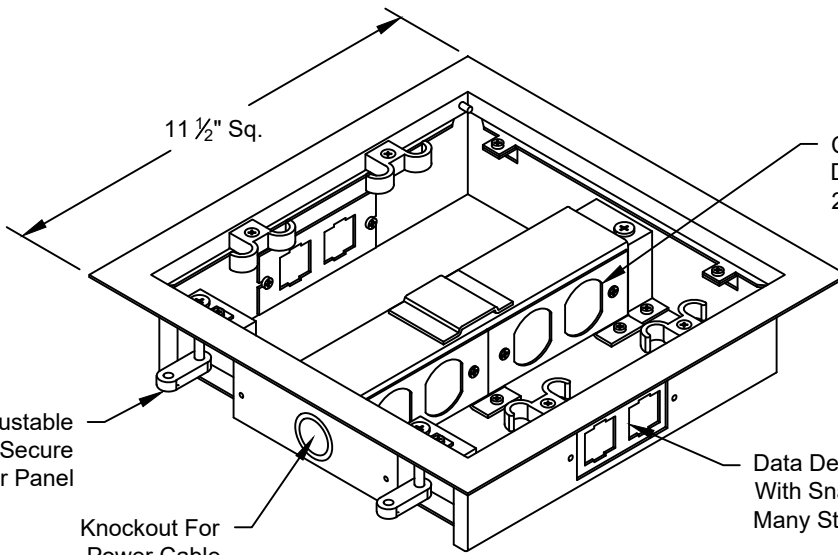


Lid Is Recessed For Carpet Insert



Lid Hinges In Both Directions Or Lifts Out For Easy Access To Power And Data Devices. Lid Closes Flush With Floor.

11 1/2" Sq.



Cover Plate For Duplex Receptacle 2 Each Side

Three Adjustable Clamps To Secure Box Into Floor Panel

Knockout For Power Cable

Data Device Plate On Each Side With Snap-In Adapters For Many Standard Jacks / Couplers

Additional Features

Provides Interconnection Point Between Raised Access Floor Wiring Systems And Workstation Equipment Cables.

Box Is Constructed Of Painted Heavy Gauge Steel

Electrical

Rated At 20 Amp/120V AC For (4) Duplex Receptacles

Finishes

Lid And Box Is Available In Black Color Only

Mounting

Mounts Into A Minimum 10 1/8" Square Cutout In Floor Panel.

Requires A Min. 2 1/2" F.F.H.

NOTE: Cut-Sheet drawing and specifications are subject to change without prior notice.



9500 Industrial Center Dr.
Ladson, SC, 29456
www.asmproducts.com

Tel: 843-534-1110
Fax: 843-534-1111

**RFB-100LP
LOW-PROFILE
ELECTRICAL BOX**

(REV. 1/25)

CS - 7022