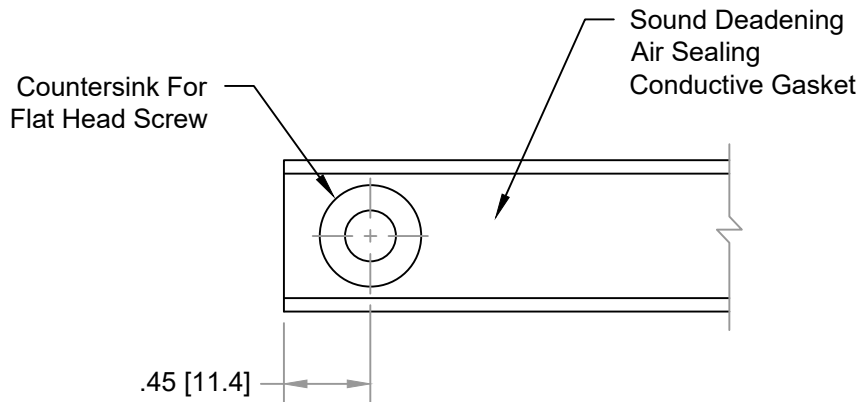
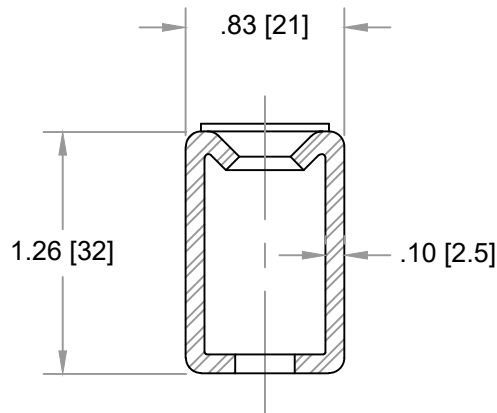


SIDE SECTION VIEW



TOP END VIEW



END SECTION VIEW

The HSD-4 Stringer is constructed with high strength structural steel and hot-dip galvanized (pre-galvanized) finish.

NOTE: Cut-Sheet drawing and specifications are subject to change without prior notice.

**HSD-4
4' HEAVY-DUTY STRINGER**



9500 Industrial Center Dr.
Ladson, SC, 29456
www.asmproducts.com

Tel: 843-534-1110
Fax: 843-534-1111

REV 4/24

CS-11276