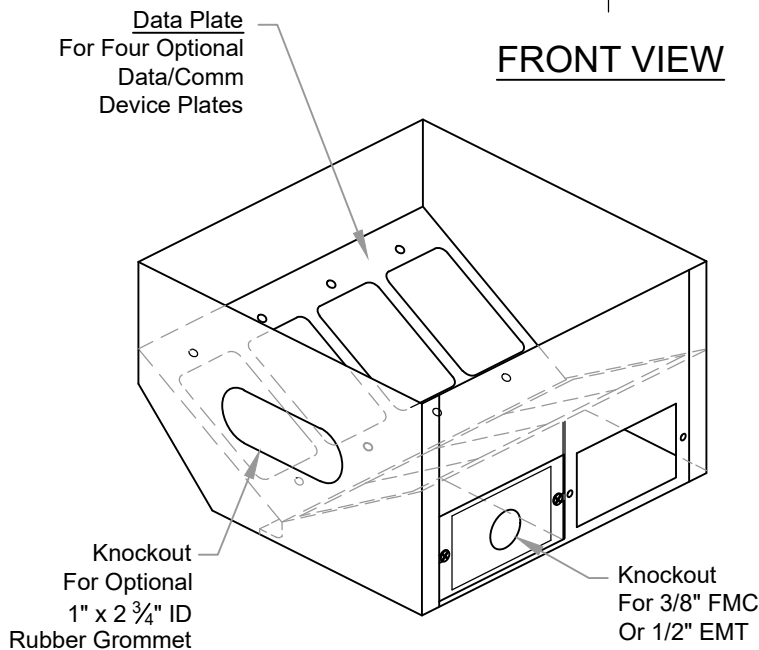


FRONT VIEW



REAR VIEW
(Shown With Lid Removed)

Additional Features

Provides Interconnection Point Between Raised Access Floor Wiring Systems And Workstation Equipment Cables.

Box Is Constructed Of 2 mm Galvanized Steel

Electrical

Rated At 20 Amp/120V AC For Duplex Receptacles

Finishes

Lid Is Available In Black Color

Mounting

Mounts Into 8-3/4" Square Cutout In Floor Panel.

Requires A Minimum Of 5" F.F.H.



NOTE: Cut-Sheet drawing and specifications are subject to change without prior notice.

**RFB-100
SMART-BOX
RAF SERVICE BOX**



9500 Industrial Center Dr.
Ladson, SC, 29456
www.asmproducts.com

Tel: 843-534-1110
Fax: 843-534-1111

Rev 6/23

CS - 7010