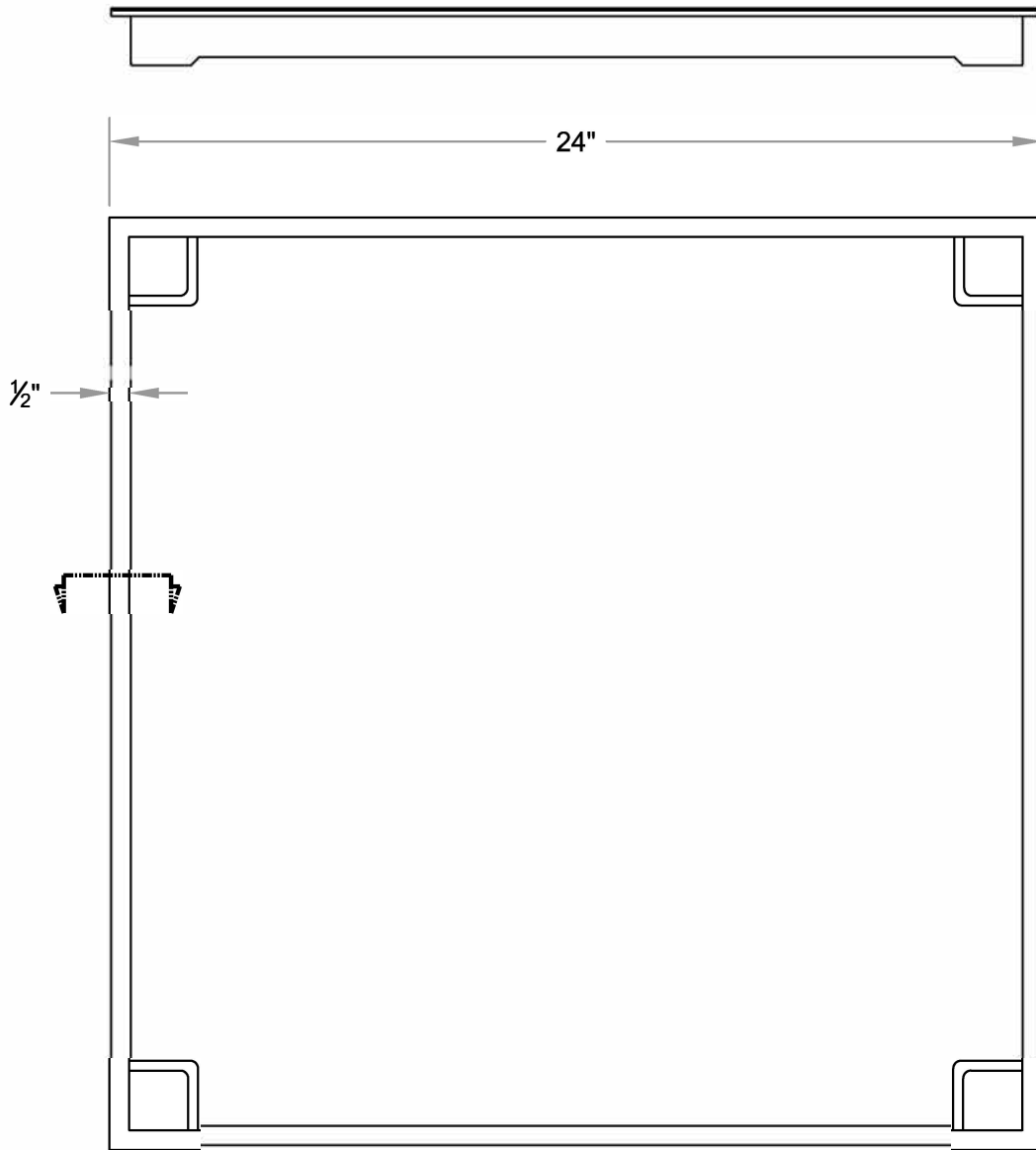


ENLARGED EDGE VIEW



BOTTOM VIEW

Material: 6061-T6 Aluminum

NOTE: Cut-Sheet drawing and specifications are subject to change without prior notice.

**AL8000 PANEL
WITH 1/16" HPL TILE
SOLID ALUMINUM**



9500 Industrial Center Dr.
Ladson, SC, 29456

Tel: 843-534-1110

www.asmproducts.com

Fax: 843-534-1111

Rev. 6/15

CS - 2956