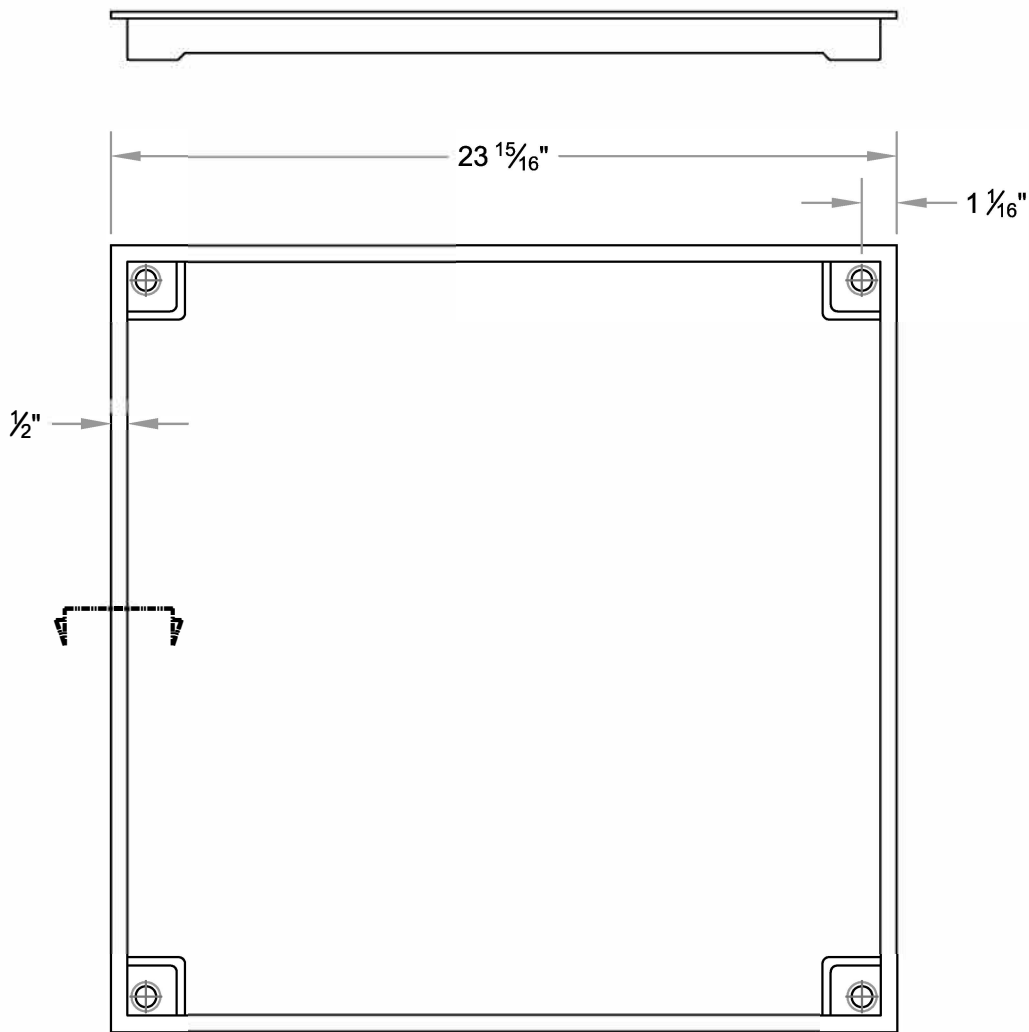


EDGE SECTION VIEW



BOTTOM VIEW

Material: 6061-T6 Aluminum

NOTE: Cut-Sheet drawing and specifications are subject to change without prior notice.



9500 Industrial Center Dr.
Ladson, SC, 29456

www.asmproducts.com

Tel: 843-534-1110

Fax: 843-534-1111

SAF8000
(SEISMIC ACCESS FLOORING)
SOLID ALUMINUM
EQUIPMENT MOUNTING PANEL

Rev. 6/15

CS - 2905